

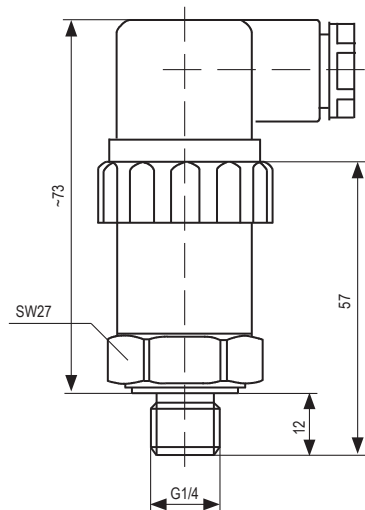


Membrane Pressure Switch 膜片压力开关

- Adjustment range: 1 ... 10 bar
- Max. system pressure 200 bar
- Elastomer membrane
- Change over contact SPDT, NC, NO
- E-connection: L-Plug、M12 x 1 or cable outlet
- Power rating: 250V AC / 4A、24V DC / 4A

- 开关范围：1 ... 10 bar
- 系统最高压力可达 200 bar
- 弹性体膜片
- 开关类型为单刀双掷，常闭、常开
- 电气连接：L-Plug 插头、M12 × 1 或电缆输出
- 额定功率：250V AC / 4A、24V DC / 4A

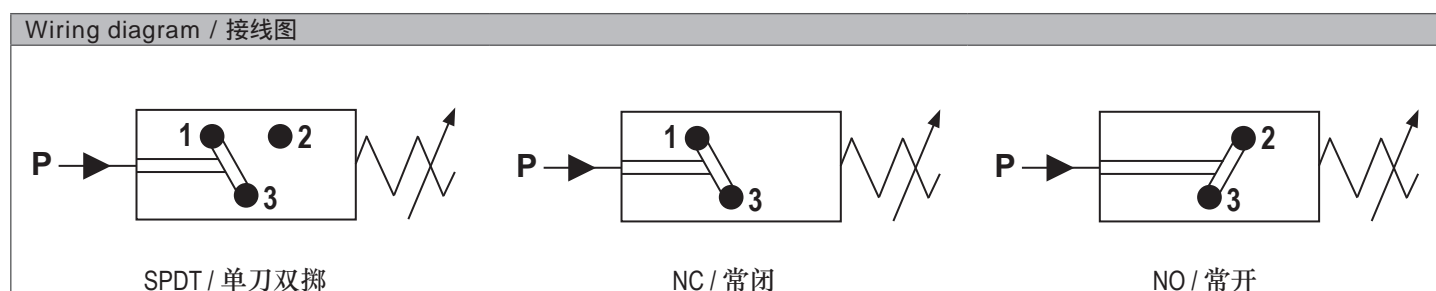
Drawing / 尺寸图



Standard types / 标准类型

Series 系列	Adjustment ranges 开关范围	Max. system pressure 最大系统压力	Repeatability 重复性	Max. hysteresis 最大滞后	Measurement element 测量元件	Pressure fitting 过程连接	Material of membrane 膜片材质	Material of housing 本体材质
8723	1 ... 10 bar	20 bar	± 0,02 bar	20%	Membrane 膜片	G1/8" G1/4" 1/8NPT 1/4NPT M10 × 1 R1/8" R1/4"	NBR NBR-LowTemp. Viton	Zinc plated steel / 镀锌钢 stainless steel / 不锈钢

Technical Specification / 技术规范		
Adjustment range 开关范围	1 ... 10	[bar]
Repeatability 重复性	± 0,02	[bar]
Max. system pressure 最大系统压力	200	[bar]
Max. hysteresis 最大滞后	0,4 bar + 5 ... 20%, adjustable 0,4 bar + 5 ... 20%, 可调	
Switched voltage 开关电压	AC: ~ 250 / DC: ~ 24	[V]
max. switched current resistive load 最大开关电阻负载电流	4	[A]
Mechanical lifetime 机械寿命	> 2 × 10 ⁶ / cycles	
Switching frequency 开关频率	max. 100 cycles / min 最高 100 次 / 分钟	
Material of housing 本体材质	zinc plated steel / stainless steel 镀锌钢 / 不锈钢	
Material of membrane 膜片材质	NBR / NBR-LowTemp. / Viton	
Pressure fitting 过程连接	G1/8" / G1/4" / 1/8NPT / 1/4NPT / M10×1 / R1/8" / R1/4"	
Tightening torque, recommended 拧紧扭矩, 推荐	20	[Nm]
Vibration resistance 抗振动性	10g (10 ... 2000Hz) sinus acc. to ISO 16750-3 10g 符合 ISO 16750-3 在 10 .. 2000 Hz	
Shock resistance 抗冲击性	30g, 14ms shaped sinus acc. to DIN 40046, T7 30g, 14ms 符合 DIN 40046, T7	
Temperature range of medium 介质温度范围	NBR : -20 ... +80 NBR-LowTemp.: -40 ... +80 Viton: 0 ... +100	[°C]
Protection degree 防护等级	IP65 using L-Plug / L-Plug 插头为 IP65 IP67 using plug M12x1 / M12 × 1 为 IP67 IP68 using cable outlet / 电缆输出为 IP68	
Weight 重量	~ 0,15	[kg]



Series 8723 / 8723 系列

Pressure Switch / 压力开关

Specification key / 规格代码

8723 - - - - - - -

Pressure adjustment range / 压力设置范围	
77	1 ... 10 bar

Output signal / 输出信号	
3	SPDT / 单刀双掷
1	NC / 常闭
2	NO / 常开

Membrane / 膜片材质		
N	NBR	-20 ... +80°C
L	NBR-LowTemp.	-40 ... +80°C
V	Viton	0 ... +100°C

Material of housing / 本体材质	
Z	zinc plated steel / 镀锌钢
S	stainless steel / 不锈钢

Options / 选项	
W	without / 无
XX,XX	Factory preset / 工厂预设开关点 ¹⁾
C	1,5m cable with socket M12 / 1,5 米电缆

¹⁾ set point adjustment increasing or decreasing.
¹⁾ 设置开关点为上升或下降压力。ss

E-connection / 电气连接	
51	L-Plug EN 175301-803-A / L-Plug 插头
64	M12 x 1 / 圆形 M12 x 1
71	cable outlet / 电缆输出

Pressure fitting / 过程连接	
11	G1/8"
12	G1/4"
31	1/8NPT
32	1/4NPT
51	M10×1
41	R1/8"
42	R1/4"

Sample:

8723-77-3-N-Z-12-51-4,0F

Pressure Switch

Type: 8723

Adjustment range: 1 ... 10 bar

Output signal: SPDT

Membrane: NBR

Material of housing: zinc plated steel

Pressure fitting: G1/4"

E-connection: L-Plug acc. to DIN EN 175301-803

Option: Factory preset switch SP=4,0 bar falling

举例:

8723-77-3-N-Z-12-51-4,0F

压力开关

型号: 8723

压力设置范围: 1 ... 10 bar

输出信号: SPDT

膜片材质: NBR

本体材质: 镀锌钢

压力接头: G1/4"

电气连接: L-Plug 插头

选项: 工厂预设开关, 开关点 =4,0 bar 下降