

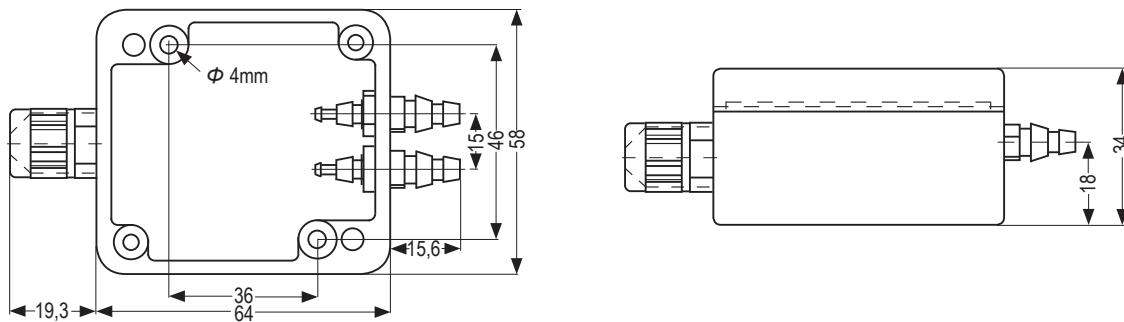


Differential Pressure Transmitter 差压变送器

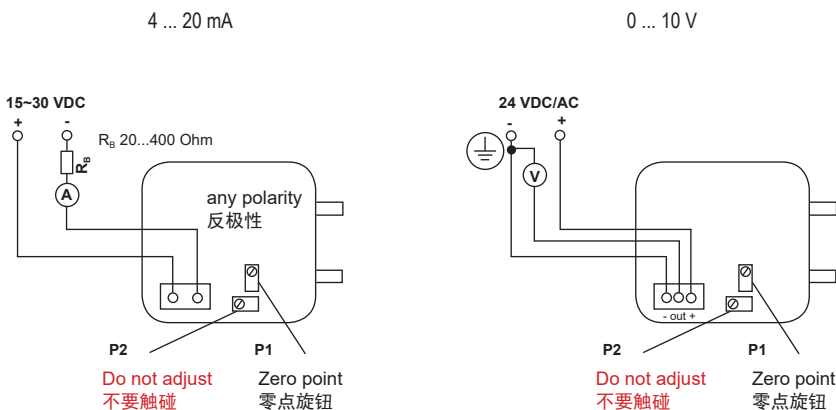
- Measuring ranges from 0 ... 0,25 mbar to 0 ... 5 mbar
- Output signal: 4 ... 20 mA or 0 ... 10 V
- Compact design
- High reliability
- Sturdy aluminium case
- Suitable for air and all non aggressive gases

- 测量范围从 0 ... 0,25 mbar 到 0 ... 5 mbar
- 输出信号: 4 ... 20 mA 或 0 ... 10 V
- 紧凑设计
- 可靠性高
- 坚固的铝制外壳
- 适用于空气和所有非腐蚀性气体

Drawing / 尺寸图



Wiring diagram / 接线图



Technical Specification / 技术规范						
Pressure range 测量范围	0...0,25	0...0,5	0 ... 1	0 ... 2,5	0 ... 5	[mbar]
Pressure range 测量范围	0...25	0...50	0 ... 100	0 ... 250	0 ... 500	[Pa]
Max. overpressure 最大过载压力	250	250	250	250	250	[mbar]
Max. linear error 最大线性误差	± 0,5	± 0,5	± 0,8	± 0,8	± 0,8	[% F.S.]
Max. temperature error [0 ... 50°C] 最大温度误差 [0 ... 50°C]	± 6,0	± 4,0	± 3,0	± 2,0	± 1,0	[% F.S.]
Long term stability 长期稳定性	± 6,0	± 4,0	± 2,5	± 2,0	± 1,0	[% F.S. / Y]
Repeat precision 重复精度	± 4,0	± 2,0	± 1,0	± 0,3	± 0,3	[% F.S.]
Measuring principle 测量原理	piezoresistive / 压阻					
Supply voltage 供电电压	4 ... 20 mA output: 15 ... 30 / 0 ... 10 V output: 24 ± 10% 4 ... 20 mA 输出 : 15 ... 30 / 0 ... 10 V 输出 : 24 ± 10%					[V DC]
Output signal 输出信号	4 ... 20 mA, 2-wires or 0 ... 10 V, 3-wires 4 ... 20 mA , 2 线制或 0 ... 10 V, 3 线制					
Permitted load 允许载荷	4 ... 20 mA: ≤ 400Ω 0 ... 10 V: ≥ 2KΩ					
Compensated temperature range 补偿温度范围	0 ... 50					[°C]
Operating temperature 工作温度	-20 ... +50					[°C]
Response time 响应时间	≤ 2,5					[ms]
Housing 外壳材质	Sturdy aluminium case 坚固的铝外壳					
Medium 介质	air and all non aggressive gases 空气或所有非腐蚀性气体					
Fitting thread 过程连接	2 connections for tube with 4 mm or 6mm diameter inside 2 个内孔为 4 或 6 毫米管宝塔接头					
Electrical connection 电气连接	PG7-screw coupling and internal screw terminals PG7- 螺钉端子					
Reverse polarity and short circuit protection 反极性和短路保护	Yes / 带					
Protection degree 防护等级	IP65					
Weight 重量	~ 170					[g]

Series 8567 / 8567 系列

Differential Pressure Transmitter / 差压变送器

aumarg
SENSORS & CONTROLS

Specification key / 规格代码

8567 - -

Measuring range / 测量范围	
33	0 ... 0,25 mbar
34	0 ... 0,5 mbar
35	0 ... 1 mbar
36	0 ... 2,5 mbar
38	0 ... 5 mbar

Output signal / 输出信号	
19	4 ... 20 mA
17	0 ... 10 V

Sample:

8567-35-19

Differential Pressure Transmitter

Type: 8567

Measuring range: 0 ... 1 mbar

Accuracy: 0,8%

Output signal: 4 ... 20 mA, 2-wires

Power supply: 15 ... 30V DC

Max. overpressure: 250 mbar

Pressure fitting: 2 connections for tube with 4 mm
or 6mm diameter inside

E-connection: PG7

Protection type: IP65

举例:

8567-35-19

差压变送器

型号: 8567

测量范围: 0 ... 1 mbar

精度等级: 0,8%

输出信号: 4 ... 20 mA, 2 线制

供电电压: 15 ... 30V DC

最大过载压力: 250 mbar

过程连接: 2 个内孔为 4 或 6 毫米管宝塔接头

电气连接: PG7

防护等级: IP65