

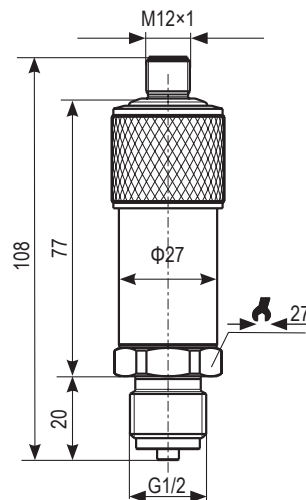


### Pressure Transmitter 压力变送器

- Measuring ranges from 0 ... 0,25 bar to 0 ... 1000 bar
- Output signal: 4 ... 20 mA or 0 ... 10 V
- Accuracy: 0.1% or 0.05%
- Fast measuring rates up to 1 kHz
- Optimum long-term stability
- Process connection G1/2", 1/2NPT and others

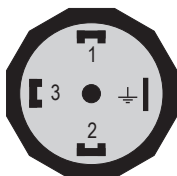
- 测量范围从 0 ... 0,25 bar 到 0 ... 1000 bar
- 输出信号: 4 ... 20 mA 或 0 ... 10 V
- 精度: 0.1% 或 0.05%
- 高达 1 kHz 的快速测量速率
- 最佳长期稳定性
- 过程连接为 G1/2", 1/2NPT 或其他

#### Drawing / 尺寸图



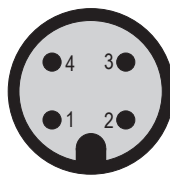
#### Wiring diagram / 接线图

L-Plug



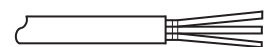
Pin / 针	4 ... 20 mA	0 ... 10 V
1	U <sub>b</sub> +	U <sub>b</sub> +
2	S+	0 V / S-
3	---	S+
⊥	---	---

M12 × 1



Pin / 针	4 ... 20 mA	0 ... 10 V
1	U <sub>b</sub> +	U <sub>b</sub> +
2	---	---
3	S+	0 V / S-
4	---	S+

Cable outlet / 电缆出线



Cable / 线缆	4 ... 20 mA	0 ... 10 V
brown / 棕	U <sub>b</sub> +	U <sub>b</sub> +
blue / 蓝	S+	0 V / S-
black / 黑	---	S+
yellow / 黄	---	---

Technical Specification / 技术规范								
Pressure range 测量范围	-1 ... 0	-1...3	0...0,25	0 ... 0,4	0 ... 0,6	0 ... 1	0 ... 1,6	[ bar ]
Overload limit 过载极限	≤ 1,5	≤ 8	≤ 1,5	≤ 2,4	≤ 3,6	≤ 4	≤ 6,4	[ bar ]
Pressure range 测量范围	0 ... 2,5	0 ... 4	0 ... 6	0 ... 10	0 ... 16	0 ... 25	0 ... 40	[ bar ]
Overload limit 过载极限	≤ 7,5	≤ 12	≤ 18	≤ 30	≤ 48	≤ 75	≤ 80	[ bar ]
Pressure range 测量范围	0 ... 60	0 ... 100	0 ... 160	0 ... 250	0 ... 400	0 ... 600	0...1000	[ bar ]
Overload limit 过载极限	≤ 120	≤ 200	≤ 320	≤ 500	≤ 800	≤ 1200	≤ 1500	[ bar ]
Measuring principle 测量原理	piezoresistive or thin film / 压阻或金属薄膜							
Supply voltage 供电电压	4 ... 20 mA output : 9 ... 30 ; 0 ... 10 V output : 14 ... 30 4 ... 20 mA s 输出 : 9 ... 30 ; 0 ... 10 V 输出 : 14 ... 30							[ V DC ]
Output signal 输出信号	4 ... 20 mA, 2-wires or 0 ... 10 V, 3-wires 4 ... 20 mA , 2 线制或 0 ... 10 V, 3 线制							
Permitted load 允许载荷	4 ... 20 mA: ≤ (U <sub>b</sub> -10V)/0.02A 0 ... 10 V: > 10KΩ							
Current consumption 电流消耗	4 ... 20 mA: ≤ 25 mA 0 ... 10 V: ≤ 10 mA							[ mA ]
Accuracy 精度	≤ ± 0.1 、 ≤ ± 0.05							[ % ]
Repeat accuracy 重复精度	≤ ± 0.03							[ % F.S. ]
Compensated temperature range 补偿温度范围	-20 ... +80							[ °C ]
Temperature error zero point 零点温度误差	≤ ± 0.01							[ % F.S./K ]
Temperature error range 量程温度误差	≤ ± 0.01							[ % F.S./K ]
Operating temperature 工作温度	-20 ... +105							[ °C ]
Storage temperature 储存温度	-40 ... +85							[ °C ]
Ambient temperature 环境温度	-20 ... +80							[ °C ]
Response time 响应时间	4 ... 20 mA output : ≤ 4 ms ; 0 ... 10 V output : ≤ 1 ms 4 ... 20 mA s 输出 : ≤ 4 ms ; 0 ... 10 V 输出 : ≤ 1 ms							[ ms ]
Vibration resistance 抗振动性	10g sinus acc. to DIN EN 60068-2-6 10g 符合 DIN EN 60068-2-6							
Shock resistance 抗冲击性	200 g; DIN EN 60068-2-27 200g, 符合 DIN EN 60068-2-27							
Housing 外壳材质	Stainless Steel / 不锈钢							
Wetted parts 接触部件	Stainless Steel 316Ti 不锈钢 316Ti							
Service life 使用寿命	> 10 million cycles / > 1 千万次循环							
Fitting thread 过程连接	G1/4", G1/2", 1/4NPT, 1/2NPT male thread (others on request) G1/4", G1/2", 1/4NPT, 1/2NPT 外螺纹 (其他按要求提供)							
Electrical connection 电气连接	L-Plug, M12×1 or cable outlet L-Plug 插头、M12×1 插头或电缆出线							
Reverse polarity and short circuit protection 反极性和短路保护	Yes / 带							
Protection degree 防护等级	IP65 using L-Plug / L-Plug 插头为 IP65 IP67 using M12×1 or cable outlet/ M12×1 插头或电缆出线为 IP67							

# Series 8390 / 8390 系列

Pressure Transmitter / 压力变送器

**aumarg**  
SENSORS & CONTROLS

## Specification key / 规格代码

8390 -  -  -  -  -  -

Measuring range / 测量范围	
16	-1 ... 0 bar
24	-1 ... 0 ... +3 bar
68	0 ... 0,25 bar
69	0 ... 0,4 bar
70	0 ... 0,6 bar
71	0 ... 1 bar
72	0 ... 1,6 bar
74	0 ... 2,5 bar
75	0 ... 4 bar
76	0 ... 6 bar
77	0 ... 10 bar
78	0 ... 16 bar
80	0 ... 25 bar
81	0 ... 40 bar
82	0 ... 60 bar
83	0 ... 100 bar
84	0 ... 160 bar
85	0 ... 250 bar
87	0 ... 400 bar
88	0 ... 600 bar
89	0 ... 1000 bar

Accuracy / 精度等级	
21	0,1%
15	0,05%

Options / 选项	
W	without / 无
B	2 m
E	5 m
K	10 m

E-connection / 电气连接	
51	L-Plug EN 175301-803-A / L-Plug 插头
64	M12 × 1 / M12 × 1 插头
71	Cable outlet / 电缆出线

Pressure fitting / 过程连接	
22	G1/4" EN837
12	G1/4" DIN EN ISO 1179-2
24	G1/2" EN837
32	1/4NPT
34	1/2NPT

Output signal / 输出信号	
19	4 ... 20 mA
17	0 ... 10 V

### Sample:

**8390-77-21-19-24-64-W**

Pressure Transmitter  
Type: 8390  
Measuring range: 0 ... 10 bar  
Accuracy: 0,1%  
Output signal: 4 ... 20 mA, 2-wires  
Power supply: 9 ... 30V DC  
Material of housing: stainless steel  
Operating temperature: -20 ... +105°C  
Pressure fitting: G1/2" EN 837  
E-connection: M12×1  
Protection type: IP67

### 举例:

**8390-77-21-19-24-64-W**

压力变送器  
型号: 8390  
测量范围: 0 ... 10 bar  
精度等级: 0,1%  
输出信号: 4 ... 20 mA, 2 线制  
供电电压: 9 ... 30V DC  
本体材质: 不锈钢  
介质温度: -20 ... +105°C  
过程连接: G1/2" EN837  
电气连接: M12×1 插头  
防护等级: IP67