

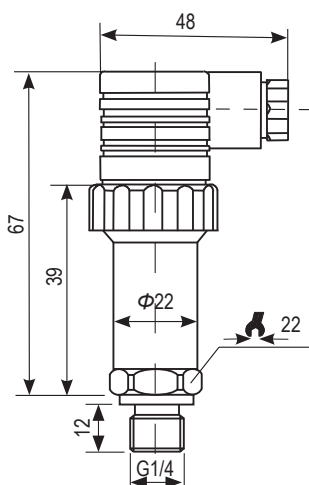


Pressure Transmitter 压力变送器

- Measuring ranges from 0 ... 25 bar to 0 ... 1200 bar
- Output signal: 4 ... 20 mA, 0 ... 10 V and others
- Thin film metal technology
- E-connection: L-Plug, M12×1 or cable outlet
- No mechanical ageing of the measuring cell
- Process connection G1/4", 1/4NPT and others

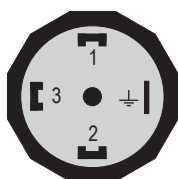
- 测量范围从 0 ... 25 bar 到 0 ... 1200 bar
- 输出信号: 4 ... 20 mA, 0 ... 10 V 或其他
- 金属薄膜技术
- 电气连接: L-Plug 插头, M12×1 插头或电缆输出
- 测量元件无机械老化
- 过程连接为 G1/4", 1/4NPT 或其他

Drawing / 尺寸图



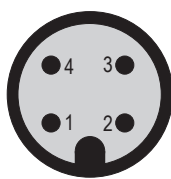
Wiring diagram / 接线图

L-Plug



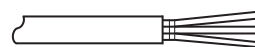
Pin / 针	4 ... 20 mA	0 ... 10 V
1	U _b +	U _b +
2	S+	0 V / S-
3	---	S+
⊥	---	---

M12 × 1



Pin / 针	4 ... 20 mA	0 ... 10 V
1	U _b +	U _b +
2	---	---
3	S+	0 V / S-
4	---	S+

Cable outlet / 电缆出线



Cable / 线缆	4 ... 20 mA	0 ... 10 V
red / 红	U _b +	U _b +
black / 黑	---	0 V / S-
yellow / 黄	S+	S+
white / 白	---	---

Technical Specification / 技术规范							
Pressure range 测量范围	0 ... 25	0 ... 40	0 ... 50	0 ... 60	0 ... 100	0 ... 160	[bar]
Overload limit 过载极限	≤ 100	≤ 100	≤ 100	≤ 200	≤ 200	≤ 500	[bar]
Burst pressure 爆破压力	≥ 500	≥ 500	≥ 500	≥ 1000	≥ 1000	≥ 2500	[bar]
Pressure range 测量范围	0 ... 250	0 ... 400	0 ... 600	0 ... 800	0 ... 1000	0 ... 1200	[bar]
Overload limit 过载极限	≤ 500	≤ 800	≤ 1600	≤ 1600	≤ 2400	≤ 2400	[bar]
Burst pressure 爆破压力	≥ 2500	≥ 4000	> 4000	> 4000	> 4000	> 4000	[bar]
Measuring principle 测量原理	thin film on steel / 金属薄膜						
Supply voltage 供电电压	4 ... 20 mA output : 9 ... 30 ; 0 ... 10 V output : 12 ... 30						[V DC]
Output signal 输出信号	4 ... 20 mA, 2-wires , 0 ... 10 V, 3-wires and others 4 ... 20 mA, 2 线制, 0 ... 10 V, 3 线制和其他						
Permitted load 允许载荷	4 ... 20 mA: ≤ (Ub-9V)/0.02A 0 ... 10 V: > 10KΩ						
Current consumption 电流消耗	4 ... 20 mA: ≤ 25 mA 0 ... 10 V: 8 mA						[mA]
Accuracy 精度	≤ ± 0.5						[%]
Repeat accuracy 重复精度	≤ ± 0.1						[% F.S.]
Compensated temperature range 补偿温度范围	0 ... 70						[°C]
Temperature error zero point 零点温度误差	≤ ± 0.15						[% F.S./K]
Temperature error range 量程温度误差	≤ ± 0.05						[% F.S./K]
Operating temperature 工作温度	-25 ... +100						[°C]
Storage temperature 储存温度	-30 ... +100						[°C]
Ambient temperature 环境温度	-25 ... +85						[°C]
Response time 响应时间	≤ 1						[ms]
Vibration resistance 抗振动性	20g (20 ... 2000Hz) sinus acc. to DIN EN 60068-2-6 20g 符合 DIN EN 60068-2-6 在 20 .. 2000 Hz						
Shock resistance 抗冲击性	100 g; 6 ms; DIN EN 60068-2-27 100g, 6 ms 符合 DIN EN 60068-2-27						
Housing 外壳材质	Stainless Steel 316L / 不锈钢 316L						
Wetted parts 接触部件	17-4PH, HNBR O-ring (Tapered thread without sealing O-ring) 17-4PH, HNBR O 型圈 (锥形螺纹没有 O 型圈)						
Service life 使用寿命	> 100 million cycles / > 1 亿次循环						
Fitting thread 过程连接	G1/4" male thread (others on request) G1/4" 外螺纹 (其他按要求提供)						
Electrical connection 电气连接	L-Plug, M12×1 or cable outlet L-Plug 插头、M12×1 插头或电缆出线						
Reverse polarity and short circuit protection 反极性和短路保护	Yes / 带						
Protection degree 防护等级	IP65 using L-Plug / L-Plug 插头为 IP65 IP67 using M12×1 or cable outlet/ M12×1 插头或电缆出线为 IP67						

Series 8331 / 8331 系列

Pressure Transmitter / 压力变送器

Specification key / 规格代码

8331 - - - - -

Measuring range / 测量范围	
80	0 ... 25 bar
81	0 ... 40 bar
47	0 ... 50 bar
82	0 ... 60 bar
83	0 ... 100 bar
84	0 ... 160 bar
85	0 ... 250 bar
87	0 ... 400 bar
88	0 ... 600 bar
55	0 ... 800 bar
89	0 ... 1000 bar
57	0 ... 1200 bar

Output signal / 输出信号	
19	4 ... 20 mA
17	0 ... 10 V
14	0 ... 5 V
15	1 ... 5 V
23	0,5 ... 4,5 V Ratiometric

Options / 选项	
W	without / 无
B	2 m
E	5 m
K	10 m

E-connection / 电气连接	
51	L-Plug EN 175301-803-A / L-Plug 插头
64	M12 x1 / M12 x1 插头
71	Cable outlet / 电缆出线

Pressure fitting / 过程连接	
12	G1/4" with HNBR O-ring
32	1/4NPT
42	R1/4"

Sample:

8331-85-19-12-51-W

Pressure Transmitter
Type: 8331
Measuring range: 0 ... 250 bar
Output signal: 4 ... 20 mA, 2-wires
Power supply: 9 ... 30V DC
Sealing: HNBR
Material of housing: stainless steel 316L
Operating temperature: -30 ... +100°C
Pressure fitting: G1/4"
E-connection: L-Plug acc. to DIN EN 175301-803
Protection type: IP65

举例:

8331-85-19-12-51-W

压力变送器
型号: 8331
测量范围: 0 ... 250 bar
输出信号: 4 ... 20 mA, 2线制
供电电压: 9 ... 30V DC
密封材质: HNBR
本体材质: 不锈钢 316L
介质温度: -30 ... +100°C
过程连接: G1/4"
电气连接: L-Plug 插头
防护等级: IP65