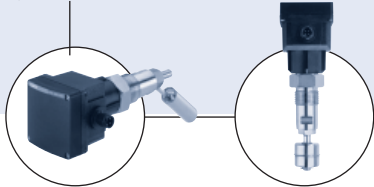


Simple float switch



- Switch for neutral and aggressive liquids
- NO/NC, alternating
- Reed contact
- Vertical or horizontal mounting
- Molded lying leads (Type 8181) or cable (Type TCL001)

Type TCL001/8181 can be combined with...



Type 8181

Housing

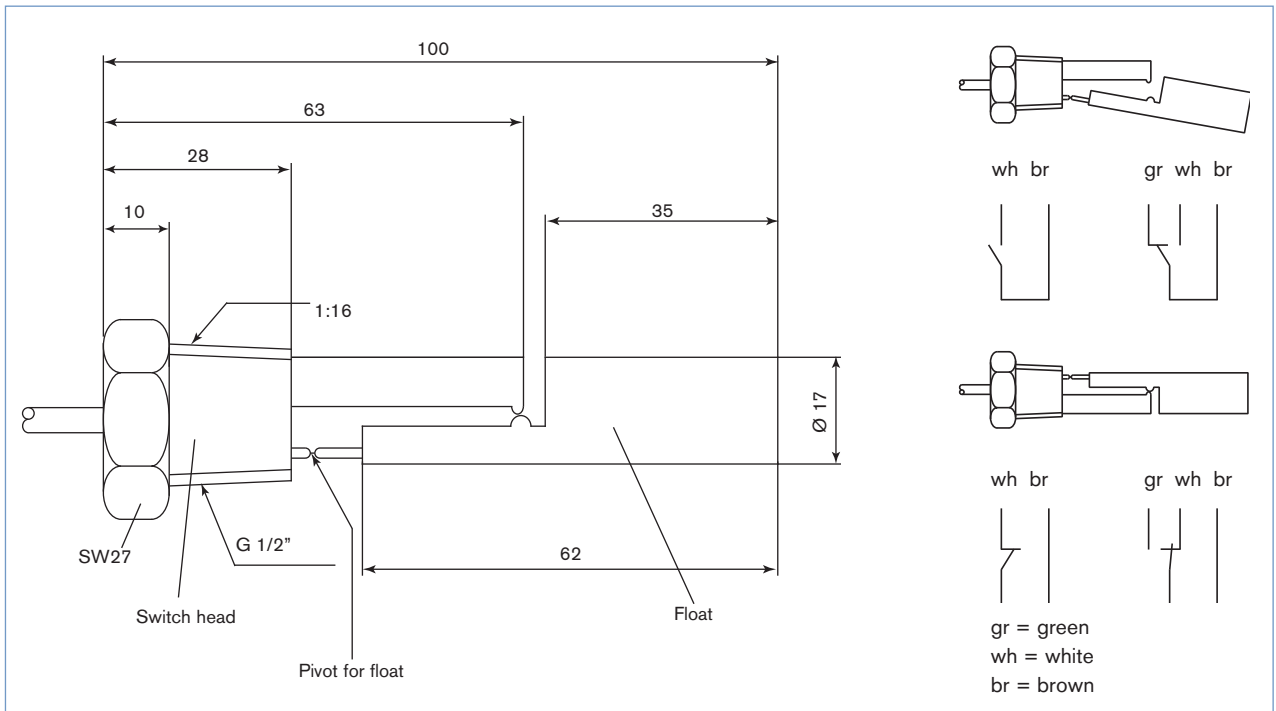
Type 8181

Housing and
ASI connection

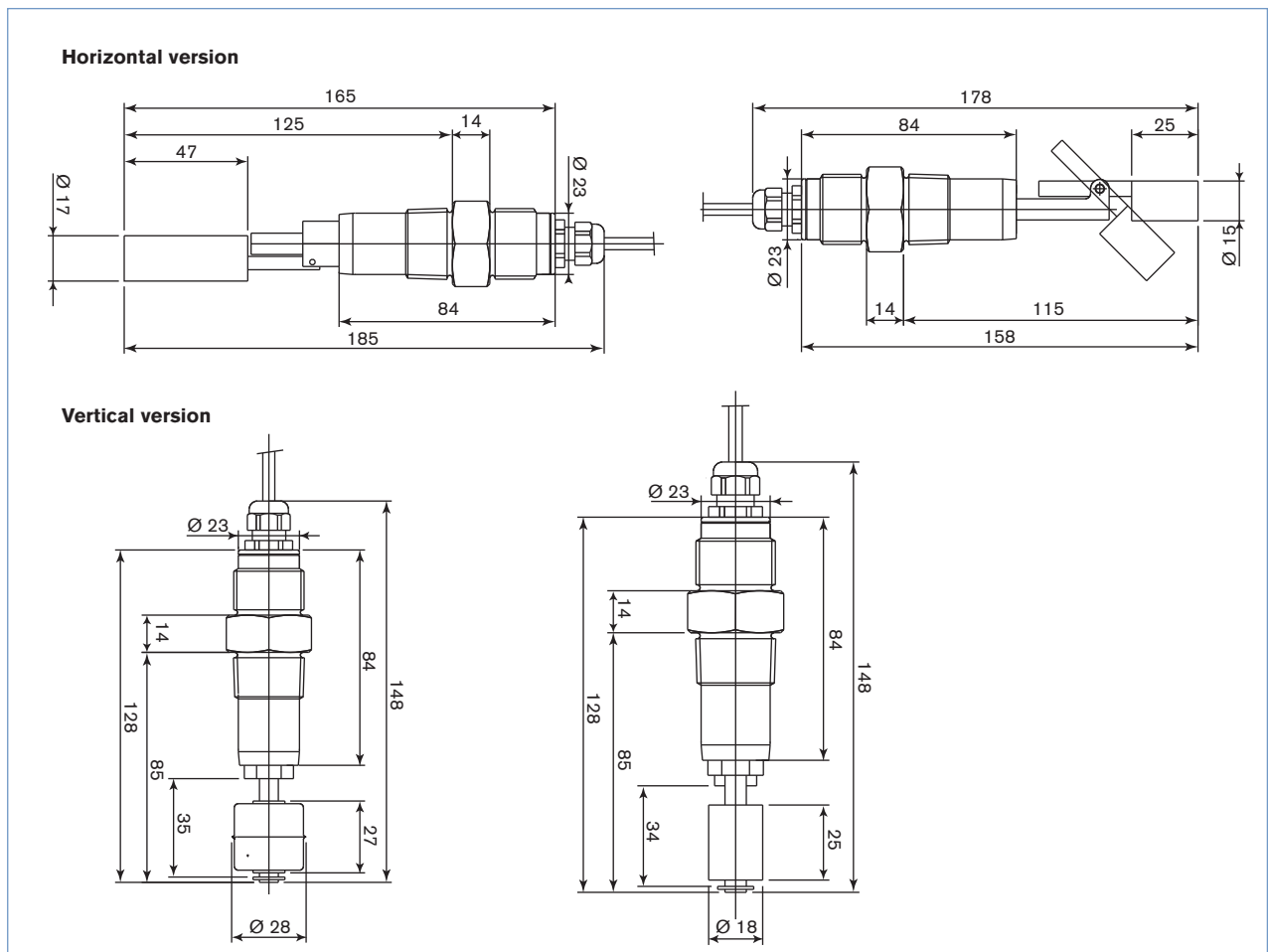
Float switch with hermetically sealed reed contacts in a fixed switch part, switching triggered by magnets in floating switch part, reed contact implemented as alternator or normally open/closed; for neutral and aggressive liquids; not sensitive to dirt particles in the medium; cylindrical threading for simple installation in side of container.

Technical data	Type TCL001	Type 8181
Switching point	at tilt of $7^\circ \pm 3^\circ$ (8.5 mm \pm 3 mm)	at tilt of $7^\circ \pm 3^\circ$ (8.5 mm \pm 3 mm)
Switching function	Normally closed/open or alternating	Normally closed/open
Normally closed/open		
Switching voltage	max. 250 V	
Switching current	max. 1 A	
Contact rating	max. 50 W / VA	
Alternating		
Switching voltage	max. 150 V	max. 48 V
Switching current	max. 0.25 A	max. 0.5 A
Contact rating	max. 3 W / VA	50 VA (AC/DC)
Electrical connections	PVC cable, 3 m long (other cable lengths on request)	Leads 300mm
Protection class	IP 67	IP 65
Operating temperature	-25 up to +105°C	-20 up to +80°C
Probe material	PP / PVDF on request	PP - SS
Mounting position	horizontal	horizontal and vertical
Thread	G 1/2", cylindrical	1/8 G
Options		Housing IP 65 Housing IP 65 and ASI connection

Dimensions [mm] Type TCL001



Dimensions [mm] Type 8181



Ordering chart

Connection	Version	Material	Switching current	Switching voltage	Switching function	Type	Item no.
G1/8	Horizontal	PP	0.5 A	Max 48V	Normally closed/open*	8181	438 141
G1/2	Horizontal	PP	max 1 A	Max 250V	Normally closed/open*	TCL001	783 793
G1/2	Horizontal	PP	max 1 A	Max 150V	Alternating	TCL001	783 794
G1/8	Vertical	PP	0.5 A	Max 48V	Normally closed/open*	8181	438 132
G1/8	Horizontal	SS	0.5 A	Max 48V	Normally closed/open*	8181	438 150
G1/8	Vertical	SS	0.5 A	Max 48V	Normally closed/open*	8181	438 159

*Depending on mounting orientation

*To find your nearest Bürkert facility, click on the orange box →

www.burkert.com

In case of special application conditions,
please consult for advice.

We reserve the right to make technical changes without notice.
© Christian Bürkert GmbH & Co. KG

0806/0_EU-en_00895087